

CONSTIX[®] Swab, SF-2

CONSTIX[®] SF-2 swab consists of 100 pore-per-inch sealed closed-cell foam head with a polypropylene handle. The swab head is thermally sealed and bonded to the handle without adhesives or binders.

The polyurethane foam head provides good particle entrapment and removal. The large size of the foam head of the SF-2 swab provides better surface coverage for cleaning. SF-2 swab is compatible with many solvents, such as isopropanol and ethanol, but is not recommended for use with ketones, such as acetone or MEK.

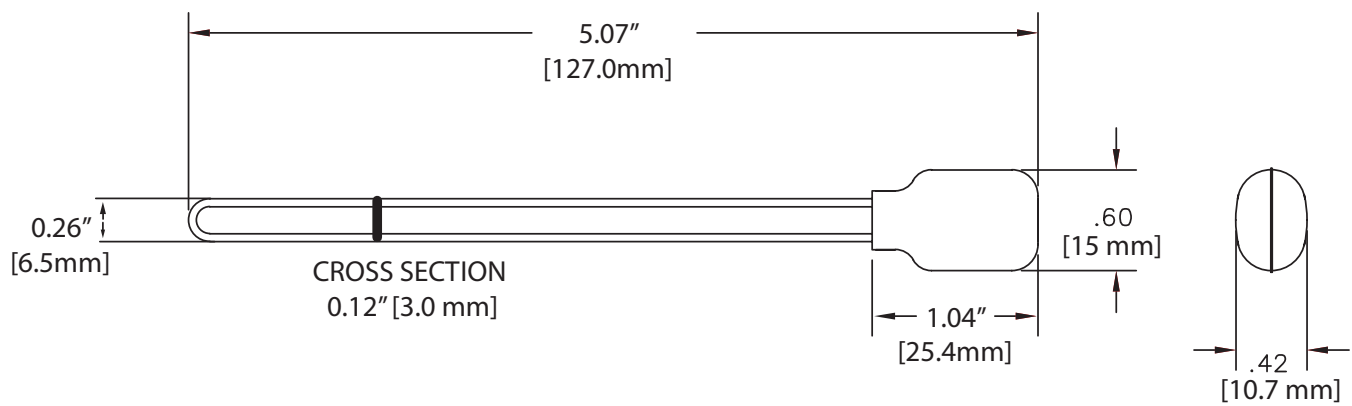


Features	Benefits
Polyurethane foam head	<ul style="list-style-type: none"> • Provides good particle entrapment and removal
Large rectangular head	<ul style="list-style-type: none"> • Ideal for swabbing larger areas and applying coating

Part No.	Description	Packaging
SF-2	CONSTIX Sealed Foam swab Head dimension 0.62" x 1.04" (15.7 x 25.4mm); handle width 0.26" x 0.12" (6.5 x 3.0mm); total length 5" (127mm)	500/case

Product Information

Head Material	100 PPI closed-cell polyurethane foam
Handle Material	100% polypropylene
Construction	Thermally sealed and attached



Packaging

	EA/BG	BG/CS	EA/CS
SF-2	50	10	500

EA = Each, BG = Bag, CS = Case