

CONSTIX® Swab, SF-1

CONSTIX® SF-1 sealed foam swab consists of polyurethane foam bonded to a polypropylene handle without the use of adhesives or binders.

The absorbent foam enables solvents, such as isopropanol and ethanol, to be readily sorbed for applications involving solvent delivery or removal. Though compatible with many solvents, the SF-1 is not recommended for use with ketones, such as acetone or MEK.

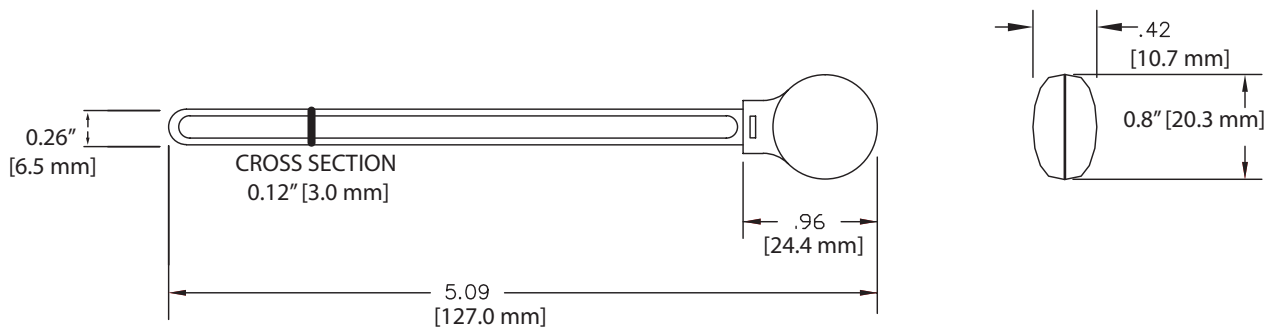


Features	Benefits
Polyurethane foam head	<ul style="list-style-type: none"> • Provides good particle entrapment and removal
Large head	<ul style="list-style-type: none"> • Ideal for cleaning and applying coating

Part No.	Description	Packaging
SF-1	CONSTIX Cotton swab Head dimension 0.8" x 0.96" (20.3 x 24.4mm); handle width 0.26" x 0.12" (6.5 x 3mm)	500/case

Product Information

Head Material	100 PPI closed-cell polyurethane foam
Handle Material	100% polypropylene
Construction	Thermally sealed and attached



Packaging

	EA/BG	BG/CS	EA/CS
SF-1	50	10	500

EA = Each, BG = Bag, CS = Case